



REFLECTIX® SUBMITTAL SHEET

R-8.0 Fiber Duct Insulation

Reflectix is proud to announce the introduction of a new and innovative design in Duct Insulation; the Reflectix® R-8.0 Fiber Duct Insulation. This product combines the "Easy to Handle and No Itch" characteristics of our other products with the enhanced thermal performance of R-8.0. A reduction in labor costs due to easier installation and handling make Reflectix® your product of choice when you are considering your duct insulation options.

PRODUCT DESCRIPTION

Reflectix® R-8.0 is a 1" thick insulation with an outer 96% reflective surface, a 1" polyester center, and another outer 96% reflective surface. It is extra tough, does not itch and is thinner than R-8.0 fiberglass wraps. The product is lightweight and has 2 vapor barriers to help inhibit condensation. A code identification tape runs the length of the roll listing ASTM numbers, the manufacturer's name and testing information.

BENEFITS

- Does not itch
- Easy to install
- Reduces heat loss in the winter and heat gain in the summer
- Requires less space than fiberglass to achieve R-8.0 (with 0.75" air space)
- Inhibits condensation
- Resists growth of fungi, mold and mildew
- Class A / Class 1 Fire Rating

TECHNICAL DATA

Physical Properties:	Reflective/Polyester/ Reflective
Thickness:	1"
Weight:	1.22 oz/sq. ft.
Thermal Resistance (ASTM C 335):	R-8 with 0.75" air space
Flame & Smoke (ASTM E 84/UL723):	Class A/Class 1
Water Vapor Permeability (ASTM E96):	<0.02 Perms
Temperature Range (ASTM C 411):	-50 F to 180 F
Resistance to Fungi/Bacteria (ASTM C 1338):	Does not promote growth
Emissivity (ASTM C 1371):	0.04
Reflectivity (ASTM C 1371):	96%

REFLECTIX® DUCT INSULATION PART NUMBERS AND STOCK SIZES

- HVRP48050 (48" x 50')
- HVRP48100 (48" x 100')

APPLICATIONS: RESIDENTIAL · COMMERCIAL · INDUSTRIAL · INSTITUTIONAL
Insulate external round and rectangular heating and air-conditioned duct work.



Features AT A GLANCE:

Reduces overall thickness of conventional R-8.0 wrap (3" to 1.25")

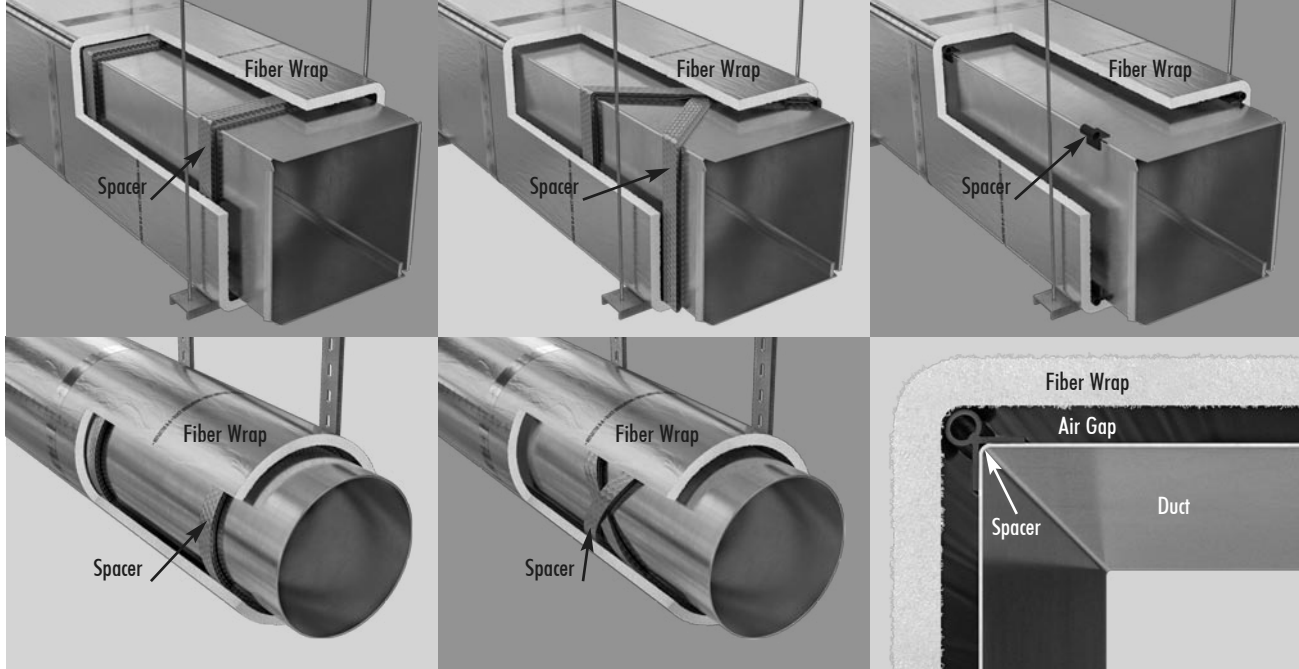
Inhibits condensation on duct work

Reduces overall heat loss or gain

WAREHOUSE LOCATIONS:

Markleville, IN
Phoenix, AZ
Greenville, SC
Needham, MA

Reflectix, Inc.
#1 School St. (PO Box 108)
Markleville, IN 46056
(800) 879-3645
Fax: (765) 533-2327
www.reflectixinc.com



MANUFACTURER'S SUGGESTED INSTALLATION INSTRUCTIONS
 THERE ARE 2 OPTIONS DEPENDING ON THE TYPE OF SPACER. METHOD 1 IS APPLICABLE TO
 EITHER ROUND OR RECTANGULAR DUCTS. METHOD 2 APPLIES TO RECTANGULAR DUCTS ONLY.

NOTE: Installation instructions and illustrated drawings are recommendations only,
 while proper local construction methods are the responsibility of the installer.

NOTE: Either spacing method is approved.

1. 2" WIDE SPACER

- Make sure the duct is free from dust and dirt by wiping it down with a shop rag.
- Make sure all sheet metal joints, seams and penetrations are sealed.
- Wrap the duct in a big looping fashion down one direction of the duct and then back (criss-crossing candy cane pattern). The crossing loops create a 0.75" enclosed air space between the duct and the wrap.
- Or, secure spacer (double layered) every 24" to 36" around ducting, fastening the spacers with a UL181 Tape with Acrylic Adhesive.
- Strap Hanger: Wrap Reflectix® with the seam at the hanger. Tape seam tightly around hanger.
- Saddle Hanger: Make sure that there is a spacer below the hanger between the insulation and the duct to prevent the foil from touching the duct.
- Tape all seams with a UL181 Tape with Acrylic Adhesive.

2. HV PLASTIC SPACER (RECTANGULAR DUCTS ONLY)

- Make sure the duct is free from dust and dirt by wiping it down with a shop rag.
- Make sure all sheet metal joints, seams and penetrations are sealed.
- Install the spacers every 24" to 26" apart on all four corners of the duct.
- Wrap the insulation over the spacers.
- Fasten the Reflectix® by either tapping the seam or plier stapling the two edges together.
- If the duct is supported with saddle clamps, make sure to install a spacer on the two bottom edges of the duct directly between the clamp and the duct.
- If the clamps are installed around the duct (such as plumbers tape), make sure that the seam is taped to prevent air movement.

PLEASE NOTE REGARDING HANGERS

Strap Hanger: Wrap Reflectix® with the seam at the hanger. Tape seam tightly around hanger.

Saddle Hanger: Make sure that there is a spacer below the hanger between the insulation and the duct to prevent the insulation from touching the duct.

NOTE: Not to be used as duct liner.