

REFLECTIX® SUBMITTAL SHEET

Duct Insulation R-4.2

Reflectix® Duct Insulation is an alternative to other types of fibrous insulation products. Ease of handling and quick installation make Reflectix® the first choice when selecting insulation for round or rectangular ductwork in HVAC systems. The product provides an R-4.2 when installed directly to the duct.

Features AT A GLANCE:

Reflectix® Duct Insulation may be installed by wrapping rectangular or round ductwork in HVAC applications

Heating costs can be greatly reduced

Eliminate unnecessary heat loss/gain and air leakage

Helps to ensure consistent temperatures

WAREHOUSE LOCATIONS:

- Markleville, IN
- Phoenix, AZ
- Greenville, SC
- Chicopee, MA

PRODUCT DESCRIPTION

Reflectix® Duct Insulation consists of two layers of highly reflective film (96% reflectivity) that are bonded to two tough layers of polyethylene. Two inner layers of insulating bubbles resist conductive heat flow while a center layer of polyethylene gives Reflectix® high reliability and strength. The product has a tape running the length of the roll for easy identification by code officials. The tape identifies the manufacturer and ASTM Testing: Reflectix® Duct Insulation · ASTM E84 · Class A / Class 1 · ASTM C411 Passed

BENEFITS

- Non-toxic / non-carcinogenic
- Fiber-free
- Resists growth of fungi, mold, mildew
- Costs less to install
- Lightweight and clean
- Not affected by moisture or humidity
- Does not promote nesting of birds, insects or rodents
- Does not require protective clothing or respirators to install
- Lowers heating and cooling costs year-round
- ISO 9001:2015 Certified Manufacturing Location

REFLECTIX® DUCT INSULATION PART NUMBERS AND STOCK SIZES

- | | | |
|------------------------|-------------------------|-------------------------|
| · HVBP12050 (12"x 50') | · HVBP12100 (12"x 100') | · HVBP12125 (12"x 125') |
| · HVBP16050 (16"x 50') | · HVBP16100 (16"x 100') | · HVBP16125 (16"x 125') |
| · HVBP24050 (24"x 50') | · HVBP24100 (24"x 100') | · HVBP24125 (24"x 125') |
| · HVBP36050 (36"x 50') | · HVBP36100 (36"x 100') | · HVBP36125 (36"x 125') |
| · HVBP48050 (48"x 50') | · HVBP48100 (48"x 100') | · HVBP48125 (48"x 125') |
| · HVBP60050 (60"x 50') | · HVBP60100 (60"x 100') | · HVBP60125 (60"x 125') |

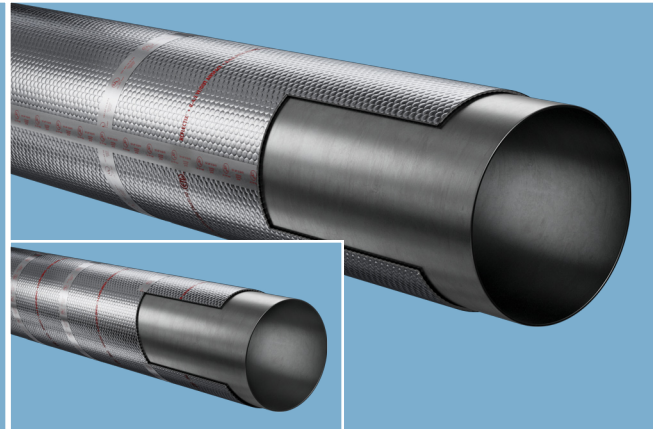
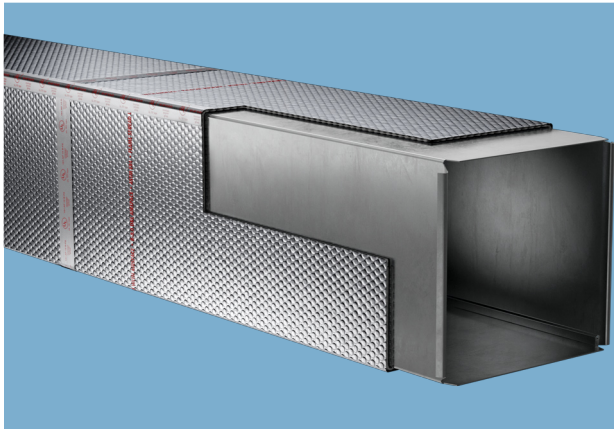
APPLICATIONS

Rectangular and round return and supply ductwork in HVAC systems



REFLECTIVE PRODUCTS
 A Division of Balcan Innovations, Inc.
 #1 School St. (POB 108)
 Markleville, IN 46056
 (800) 879-3645
 E: customerservice@reflectixinc.com
 www.reflectixinc.com





DOUBLE REFLECTIVE TECHNICAL DATA

Temperature Range:	-60° to 180° F
Nominal Thickness:	5/16 inch (.312)
Weight:	0.771 oz./sq. ft.
Flame Spread Index (ASTM E 84):	Less than 25
Smoke Developed Index (ASTM E 84):	Less than 50
Mounting Method (ASTM E 2599)	
Fire Rating:	Class A/Class 1
Linear Shrinkage:	None
Reflectance (IR):	96%
Water Vapor Transmission (ASTM E 96):	0.02
Puncture Resistance:	60 lb./in.
Mold and Mildew:	No Growth
Emittance:	0.04
Tensile Strength:	3.7 N/mm
Pliability:	No Cracking
Hot Surface Performance:	Passed (250° F)

Note: Not for use in direct contact on surface temperatures that are 180° F or greater.

TESTING & CERTIFICATIONS

- Thermal Performance ASTM C335
- Hot Surface Performance ASTM C411
- Flame Spread and Smoke Density ASTM E84
- Fungus Resistance Mil-Std 810B Method 508
- Pliability Test ASTM C1224
- Sound Absorption Test ASTM C423 and ASTM E795
- Sound Transmission Loss ASTM E90 and ASTM E413
- Water Vapor Transmission ASTM E96
- Tensile Strength ASTM D751
- Bleeding and Delamination ASTM C1668
- Intertek: Surface Burning Characteristics of Building Materials ASTM E84-08 (Taped Joint Detail) Test Report # 3166908SAT-012
- Intertek: Surface Burning Characteristics of Building Materials ASTM E84-08 (Unslit) Test Report # 3166908SAT-011
- R&D Services: Resistance to the Growth of Fungi ASTM C1338-00 Test Report # RD072713FR
- State of California
- State of California Licensed Insulation Manufacturer

- State of Minnesota: Filed with Minnesota Insulation Standards Program
- R&D Services Emittance Testing ASTM C1371
- R&D Services: Physical Properties Sheet Width, Length, Pliability, Water Vapor Permanence and Aged Water Vapor Permanence
- R&D Services: Water Vapor Transmission Test ASTM-E96 (Dessicant Method)

MANUFACTURER'S SUGGESTED INSTALLATION INSTRUCTIONS

NOTE: Installation instructions and illustrated drawings are recommendations only, while proper local construction methods are the responsibility of the installer.

1. STANDARD WRAP (CIRCUMFERENCE)

- ROUND OR RECTANGULAR DUCTS

- Make sure all metal joints, seams and penetrations are sealed.
- Verify circumference of the duct.
- Cut the Reflectix® product to this length plus 1".
- Wrap the product around the duct and securely tape the linear and circumference seams (overlapping 1" - 2") with a UL181 Tape with Acrylic Adhesive (goal is an air-tight, snug seam seal). Do not leave any exposed duct or space where air can enter between the duct and the Reflectix®.

2. SPIRAL WRAP DIRECTLY AGAINST DUCT

- ROUND DUCTS

- Make sure all metal joints, seams and penetrations are sealed.
- Spiral wrap Reflectix® around the duct, overlapping 2" as you proceed.
- If necessary, trim width of product to accommodate bends or diameter changes in the duct.
- Securely tape seams with a UL181 Tape with Acrylic Adhesive (goal is an air-tight, snug seam seal).
- Do not leave any exposed duct or space where air can enter between the duct and the Reflectix®.

PLEASE NOTE REGARDING HANGERS:

Strap Hanger: Wrap Reflectix® with the seam at the hanger. Tape seam tightly around hanger.

NOTE: Not to be used as duct liner.